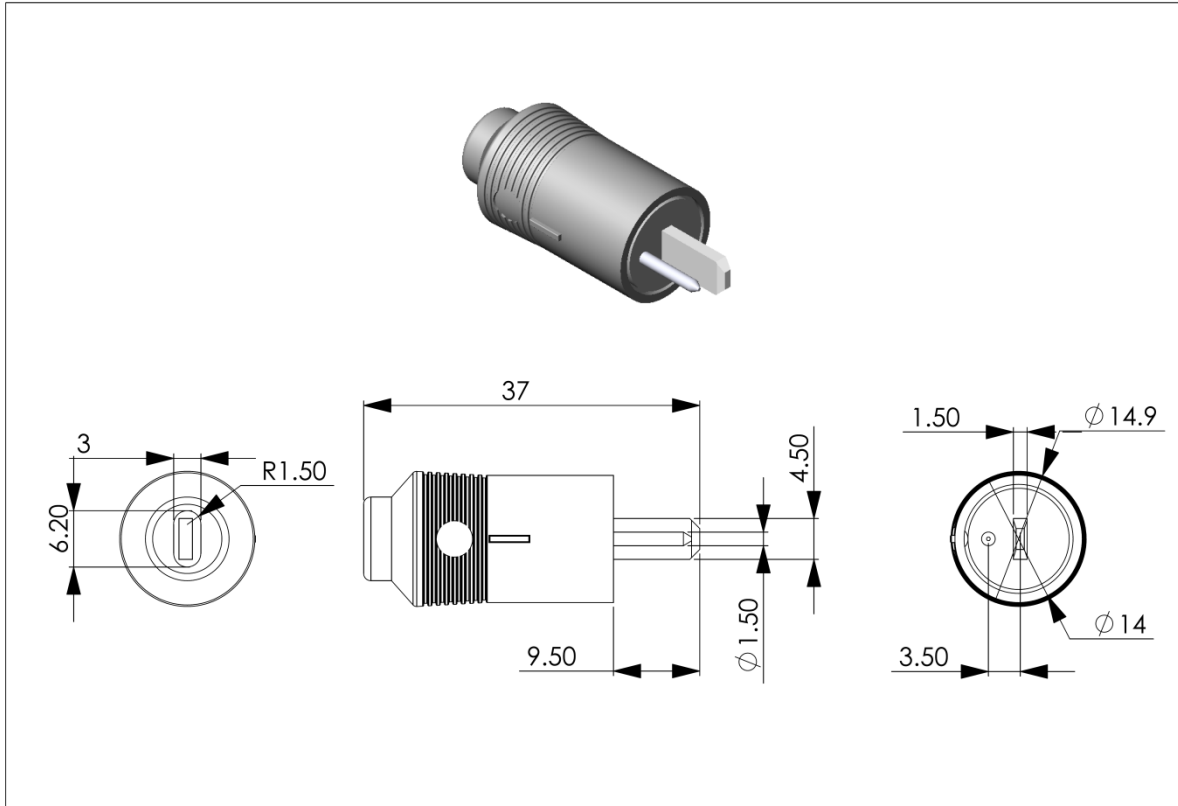


YE-1106G 2P DIN CABLE PLUG



MATERIALS :

1. HOUSING : ABS
2. SHELL COVER : PA
3. TERMINALS : BRASS NICKEL PTD.

SPECIFICATION :

rating :

100V AC 1A MAX

contact resistance :

30mΩ MAX

insulation resistance :

MIN 100 MEGΩ @500V DC

voltage withstand :

250V AC R.M.S. for 1
minute

俞昌有限公司 YEU TSANG CO. LTD.		品名: ITEM:	2P DIN CABLE PLUG GRAY COLOR			一般公差 :X +/-0.25 :XX +/-0.10	SHEET: 1 1	單位: unit:	mm	日期: date:	'07/01/23	繪圖: drwn by:	DanielShyr
料號: PART NO:	YE-1106	圖號: DRW NO:						比例: scale:	2:1	版本: version:	V. 1.0	核准: aprvd by:	SkyShyr

COPYRIGHT BY YEU TSANG